



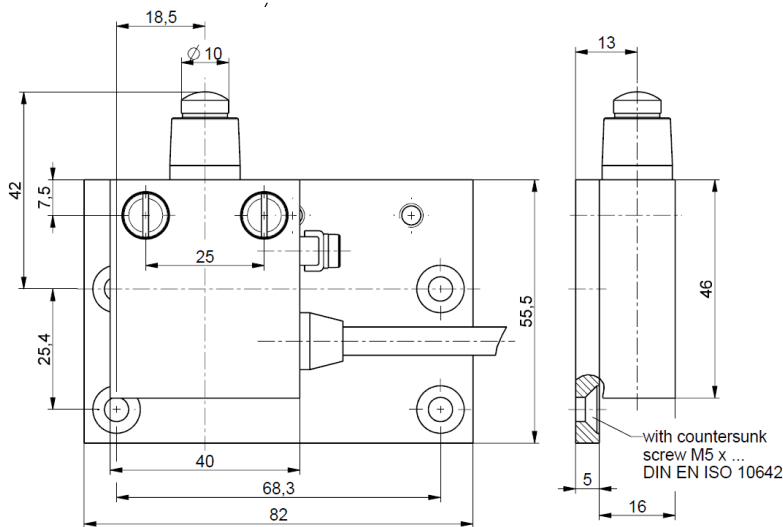
## Ex position switch Ex 12 W-S 5m with adapter plate Material number: 1395762

### Features/Options

- Ex zone 1 and 21
- Metal enclosure with adapter plate made of stainless steel 1.4404
- Snap action, change-over contact with single break
- Suitable for in-line mounting
- With pre-wired cable, cable length 5 m, cable on side

- Screwed with adapter plate
- Actuator: Plunger with collar W
- Actuating speed max. 0.5 m/s with a vertical actuating angle of 0°
- Watertight collar for protection against penetration of dirt
- N.B.: Please state required approvals for Russia with your order!

### Dimensions



### Technical data

#### Standards

EN 60079-0; EN 60079-1;  
EN 60079-31; EN 60947-5-1

#### Enclosure

aluminium die-cast, hard-coated  
IP 65 to IEC/EN 60529

#### Degree of protection

#### Contact material

silver

#### Switching system

snap action

#### Switching elements

change-over contact with single  
break

#### Connection

cable H05VV-F, 4 x 0.75 mm<sup>2</sup>

#### $U_{imp}$

4 kV

#### $U_i$

250 V

#### $I_{the}$

5 A

#### Utilisation category

AC-15; DC-13

#### $I_e/U_e$

5 A/250 VAC; 0.16 A/230 VDC

#### Max. fuse rating

5 A gG/gN fuse

#### Ambient temperature

-20 °C ... +60 °C

#### Mechanical life

> 1 million operations

#### Operation cycles

1800/h

#### Repeat accuracy of switching

± 0.1 mm

#### points

#### Ex marking

Ex II 2G Ex d IIC T6 Gb

Ex II 2D Ex tb IIIC T80 °C Db

IECEX Ex d IIC T6 Gb

Ex tb IIIC T80 °C Db IP65

#### Approvals

PTB 03 ATEX 1067 X

IECEX PTB 11.0089X

**ERC Ex**

Errors and omissions excepted.

### Switching diagram



### Contact diagram

