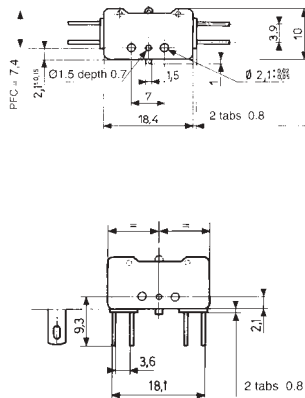
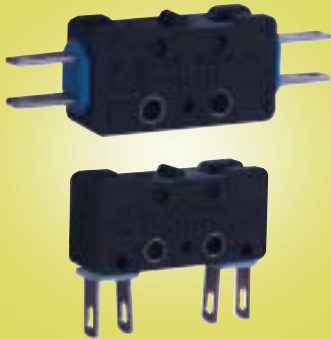


**Subminiature Microswitches, 5 Amp**

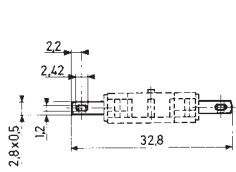


A 5 amp changeover subminiature microswitch with 1 N/O and 1 N/C contacts available with side mounted or base mounted solder terminals. A wide range of levers available to suit most applications, order separately.

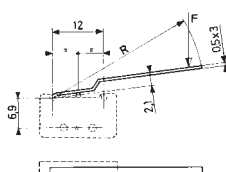
Electrical rating	5 Amp at 250 volt
Contacts / Material	1 N/O + 1 N/C / Silver
Mechanical life	10 <sup>6</sup>
Temperature	-20 to +125°C
Terminals	Cupro-nickel, solder type
IP Rating	IP40
Housing	Glass filled polyamide
Levers	Stainless steel, polyamide roller
Approvals	UL, cUL on request
Operating force max.N	1.6
Release force min.N	0.4
Tripping point.mm	7.7
Differential travel.mm	0.45
Overtravel min.mm	0.27
Operating characteristics specified from mounting holes without levers	

**Connections**

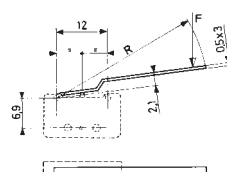
**Levers for Crouzet Subminiature Microswitches**



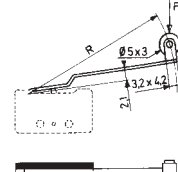
W2 Solder



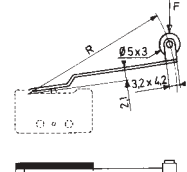
Plain R=14.75 mm



Plain R=35.75 mm



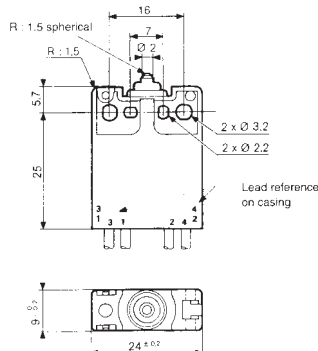
Roller R=7.5 mm



Roller R=14.1 mm

Stock No.	Manufactures Ref'	Terminals	Contacts	Type	Lever Type/Length	Unit Price		
						1-9	10-49	50+
3265383	83 132 030	SIDE	Ag	W2		4.12	3.79	3.25
3265386	83 133 035	BASE	Ag	W2		4.13	3.80	3.26
3265188	70 514 175				PLAIN 14.75MM	0.42	0.39	0.33
3265197	70 514 194				PLAIN 35.75MM	0.42	0.39	0.33
3265191	70 514 181				ROLLER 7.5MM	1.29	1.19	1.02
3265194	70 514 182				ROLLER 14.1MM	1.29	1.19	1.02

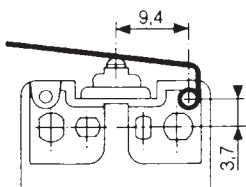
**EX Flameproof Microswitch 6 Amp**



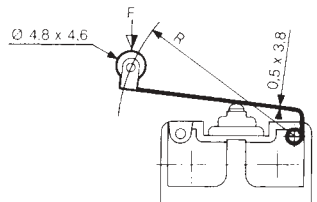
A 6 amp changeover microswitch with 1 N/O and 1 N/C contacts. Group 2 classified for explosive atmospheres other than mines subject to firedamp. Pre-wired with 0.5M cable with levers available to suit most applications, order separately.

Electrical rating	6 Amp at 250 volt
Contacts	1 N/O + 1 N/C changeover
Contact material	Silver
Mechanical life	10 <sup>6</sup>
Temperature	0 to +85°C
IP Rating	IP67
Housing	Polyester
Levers	Stainless steel, polyamide roller
Connections	Pre-wired 4 core (0.75mm <sup>2</sup> ) cable, 0.5M (black/brown-N/C, grey/blue-N/O)
Conforms to standards	
Flameproof	EN 50 014, EN 50 018
Operating force max.N	EEX d IIC T6
Release force min.N	3
Tripping point.mm	0.6
Differential travel.mm	7.7
Overtravel min.mm	0.35
Operating characteristics specified from mounting holes without levers	

**Levers for Crouzet EX Microswitches**



Plain R=14.2 mm



Roller R=13.6 mm

Stock No.	Manufactures Ref'	Actuator	Contacts	Type	Lever Type/Length	Unit Price		
						1-9	10-49	50+
3265395	83 139 003	STANDARD	Ag	PRE-WIRED		15.12	13.91	11.94
3265296	79 215 740			LEVER ONLY	PLAIN 14.2MM	0.18	0.17	0.14
3265302	79 215 742			LEVER ONLY	ROLLER 13.6MM	0.26	0.24	0.21